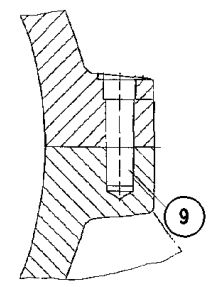
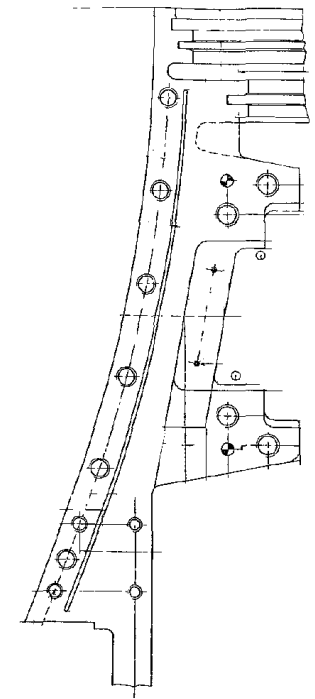
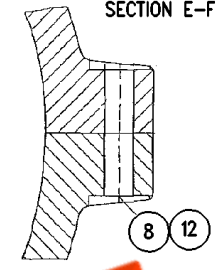


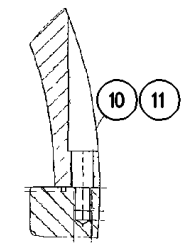
PART. Y



SECTION E-F



SECTION G-H



- 211 = RESINA EPOSSIDICA / EPOXY RESIN PRIMING COAT
- 212 = INDURENTE / HARDENER
- 221 = VERNICE / EPOXY RESIN
- 222 = INDURENTE / HARDENER

SOPPORTO CUSCINETTO
BEARING PEDESTAL

MBD19HD009G