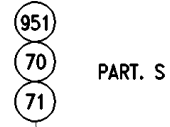
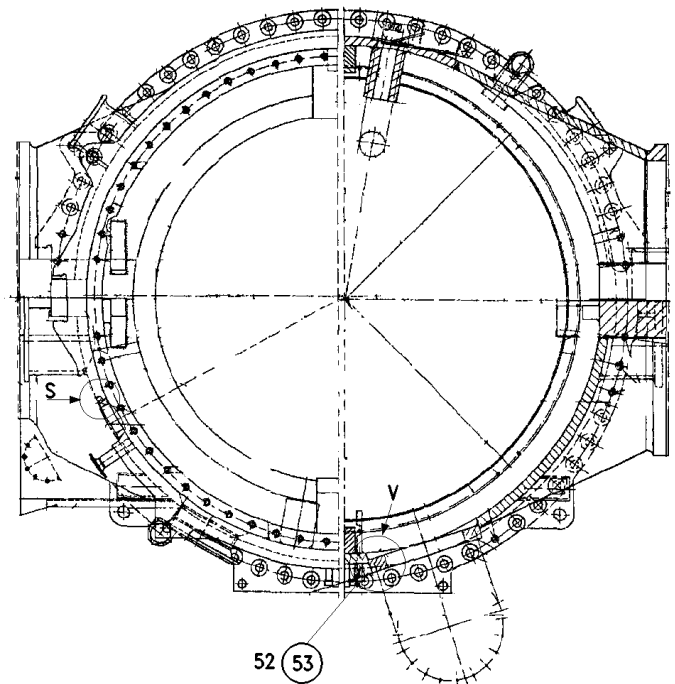
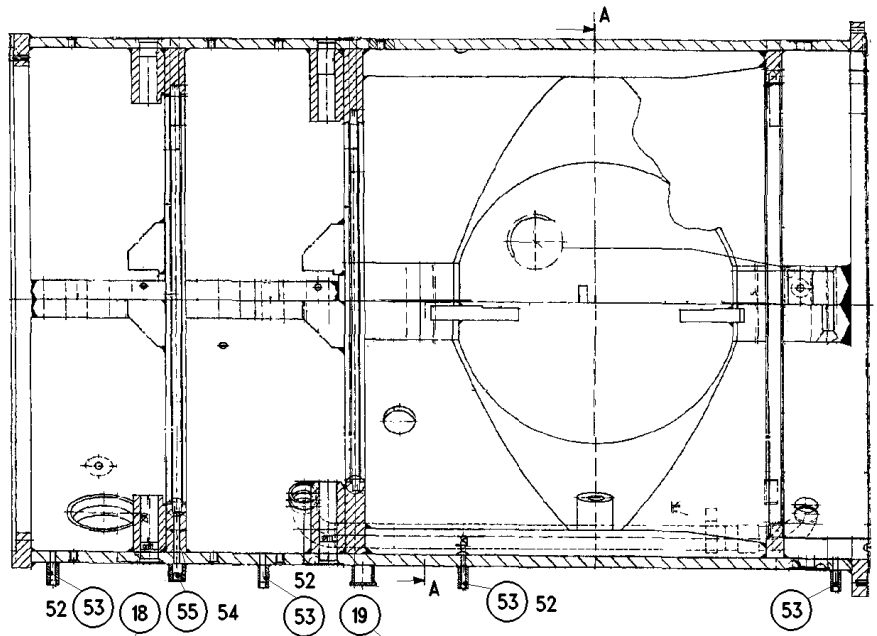
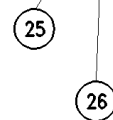
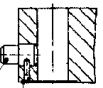
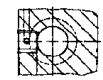


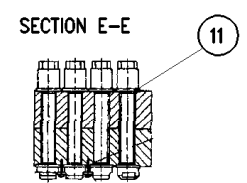
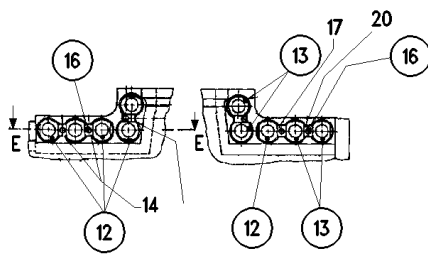
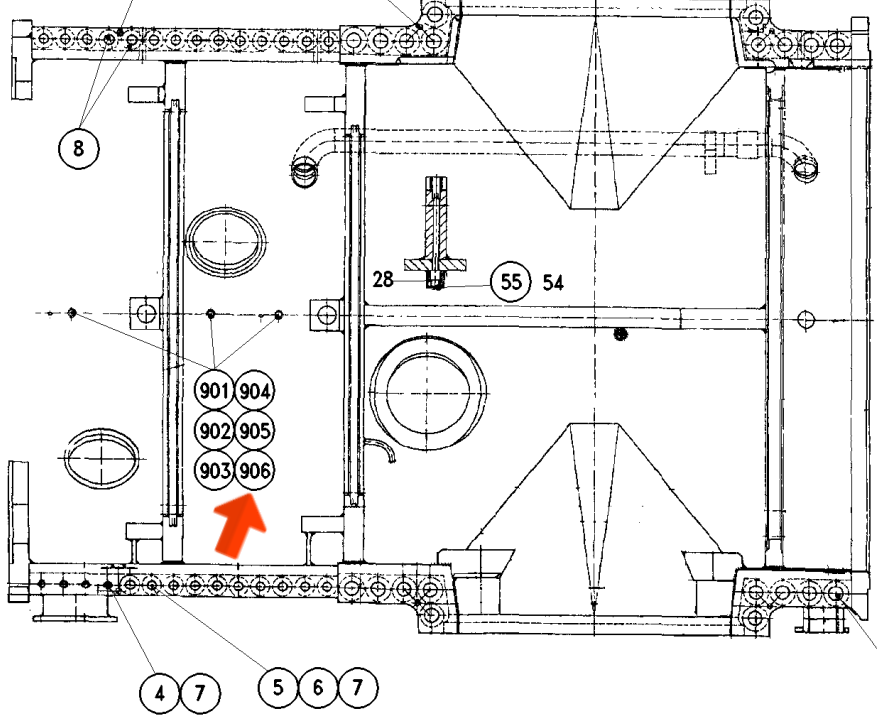
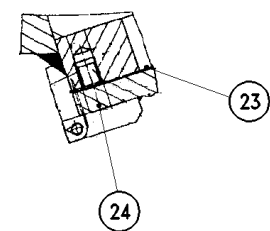
SECTION A-A



SECTION M1-M1



PART. V



30 = VARNISH

CASSA ESTERNA CENTRALE
CENTRE CASING

MBA19HA009G