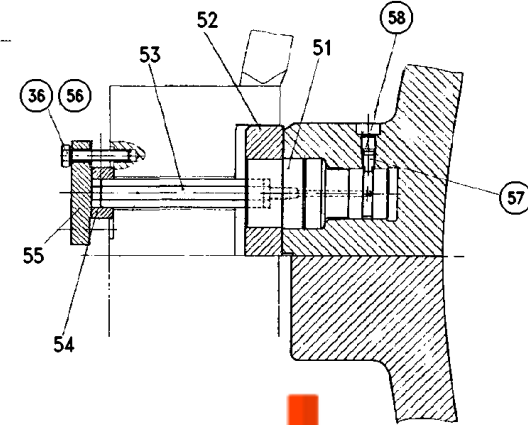
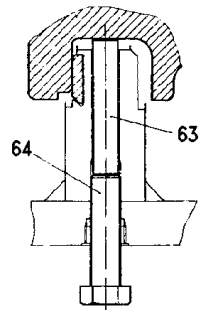


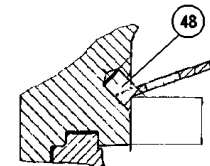
SECTION A-A



SECTION G-G



PARTIC. Z



654 = SEAL RING

PORTAPALETTE TURBINA
TURBINE INNER CASING

MBA19HA005G