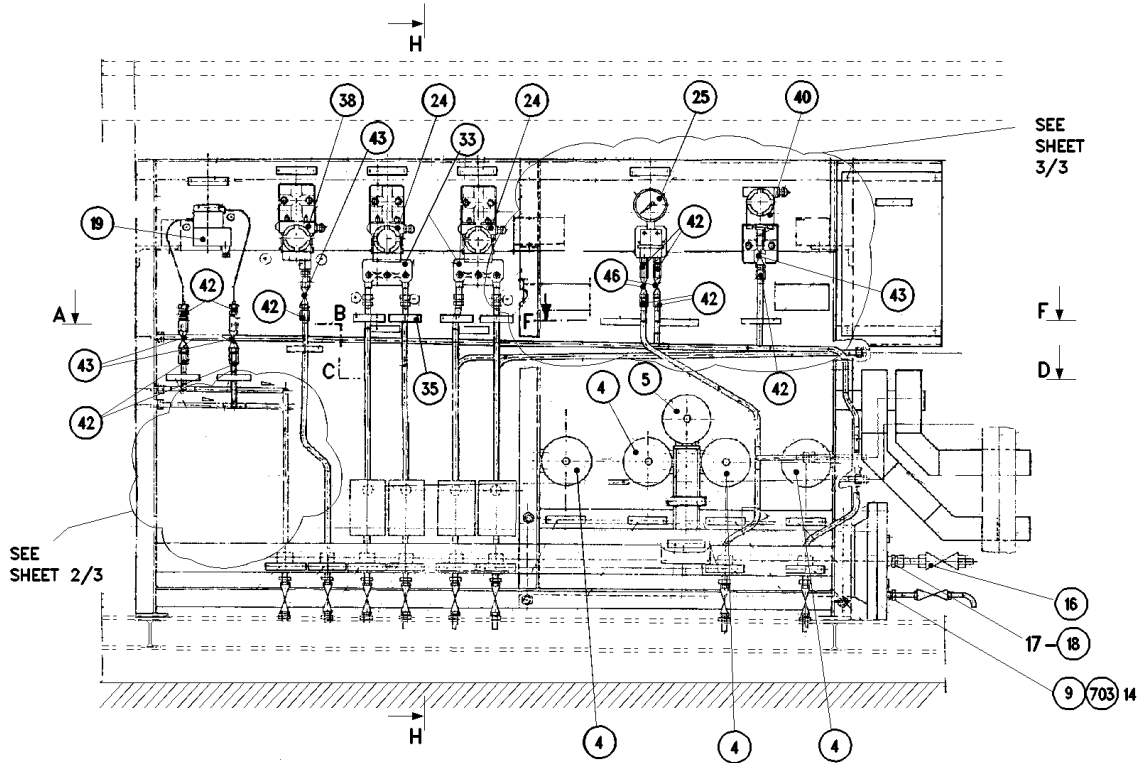
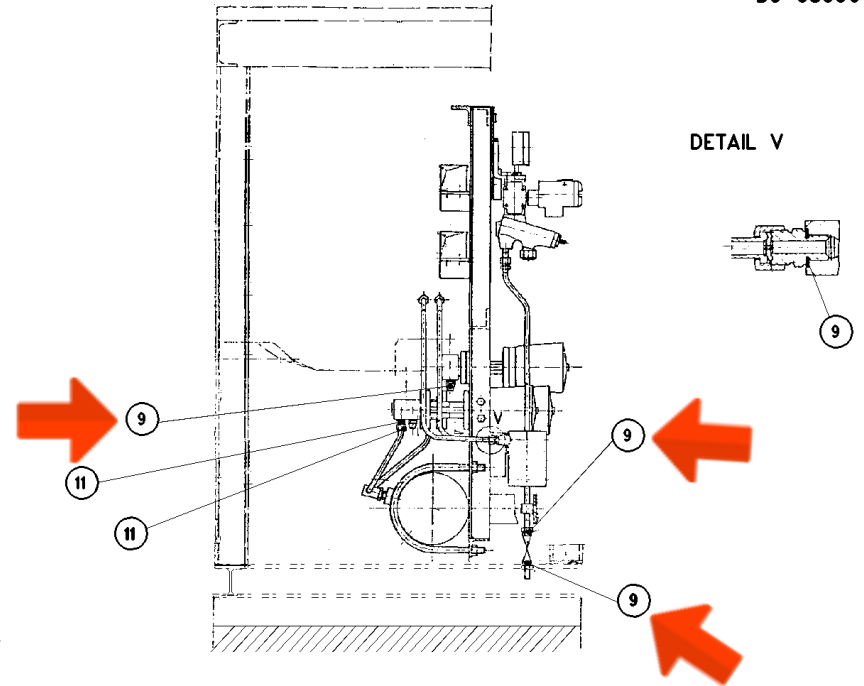


SECTION H-H



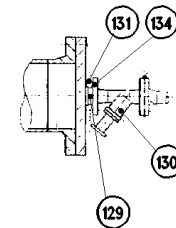
SEE SHEET 3/3

F ↓
D ↓

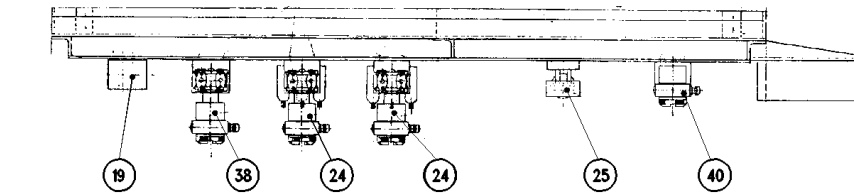


DETAIL V

SECTION E-E



SECTION A-D



SECTION F-F

