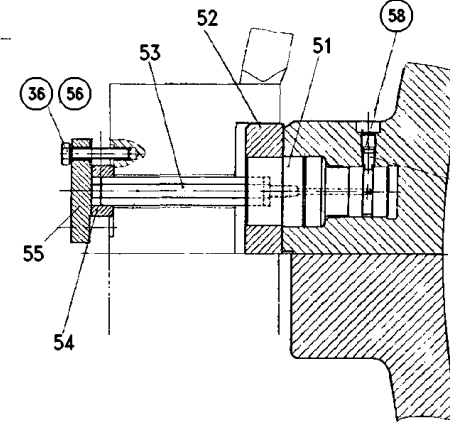
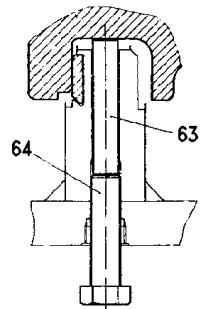


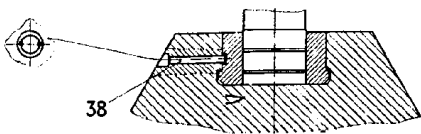
SECTION A-A



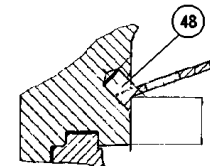
SECTION G-G



SECTION F-F



PARTIC. Z



PORTAPALETTE TURBINA  
TURBINE INNER CASING

**MBA19HA005G**