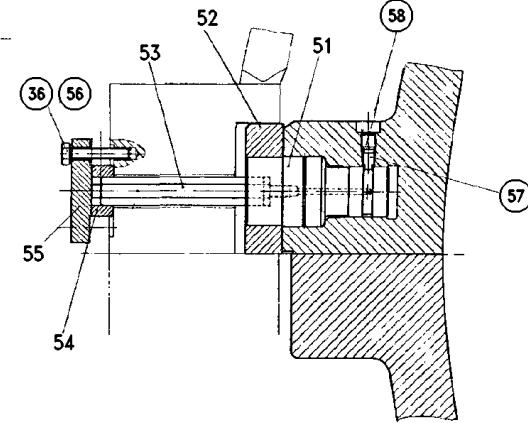
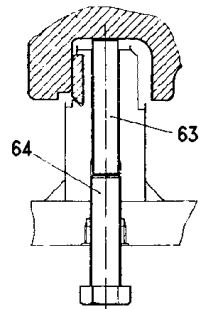


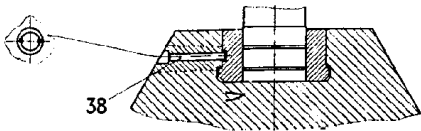
SECTION A-A



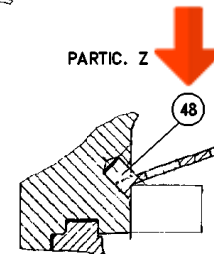
SECTION G-G



SECTION F-F



PARTIC. Z



654 = SEAL RING

PORTAPALETTE TURBINA
TURBINE INNER CASING

MBA19HA005G