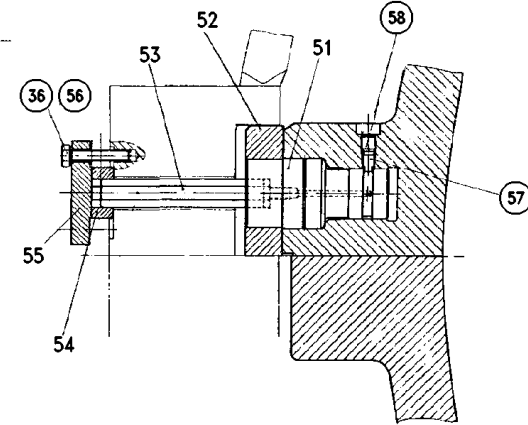
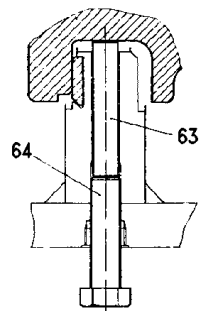


SECTION A-A

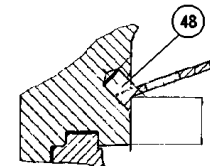


SECTION G-G

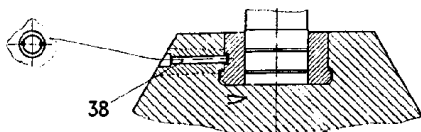


(654) = SEAL RING

PARTIC. Z



SECTION F-F



PORTAPALETTE TURBINA
TURBINE INNER CASING

MBA19HA005G

(704) (706) (708)