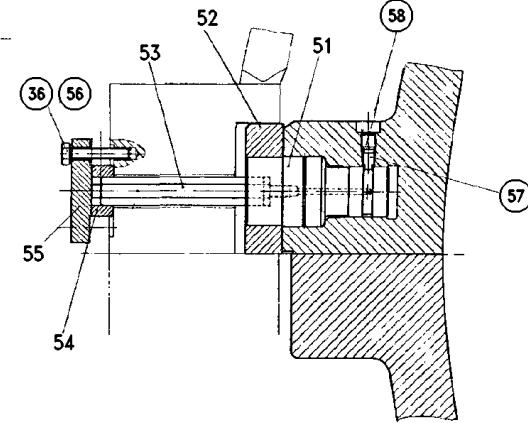
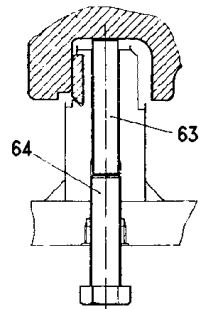


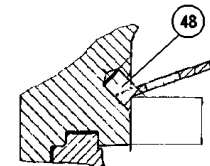
SECTION A-A



SECTION G-G



PARTIC. Z



(654) = SEAL RING

PORTAPALETTE TURBINA
TURBINE INNER CASING

MBA19HA005G