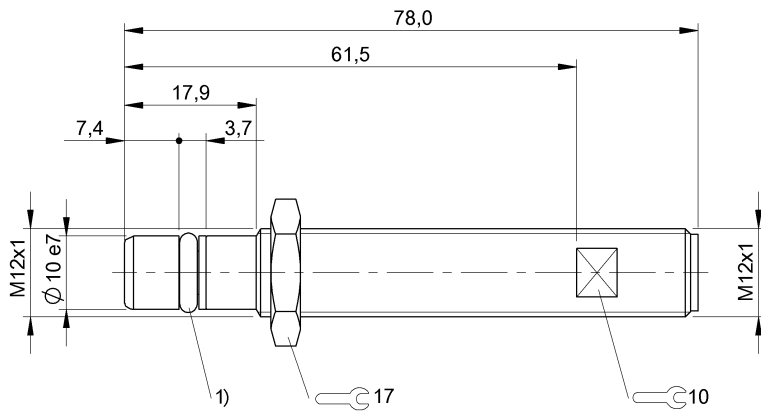


BES 516-300-S135-S4-D BHS001L



1) O-ring with thrust ring



IND. CONT. EQ
81U2
for use in the secondary of
a class 2 source of supply
Environmental - Type 1 Enclosure



Display/Operation

Function indicator	no
Power indicator	no

Electrical connection

Connection	M12x1-Connector, 4-pole, A-coded
Polarity reversal protected	yes
Short-circuit protection	yes

Electrical data

Hysteresis H max. (% of Sr)	15.0 %
Load capacitance max. at Ue	0.5 µF
MTTF (40 °C)	720 a
No-load current I _o max., undamped	1 mA
Operating voltage U _b	10...30 VDC
Output resistance R _a	33.0 kOhm + D
Pollution degree	3
Protected against miswiring	yes
Rated insulation voltage U _i	75 V DC
Rated operating current I _e DC	200 mA
Rated operating voltage U _e DC	24 V
Rated short circuit current	100 A
Ready delay t _v max.	10 ms
Repeat accuracy max. (% of Sr)	5.0 %
Residual current I _r max.	10 µA
Switching frequency	1000 Hz
Utilization category	DC -13
Voltage drop static max.	1.5 V

Environmental conditions

Ambient temperature	-25...80 °C
Protection type IEC 60529	IP68

Functional safety

Diagnostic coverage	0 %
Functional safety	no
Mission Time	20 a

General data

Approval/Conformity	CE cULus EAC
Basic standard	IEC 60947-5-2
Thrust ring, part number	705918

Material

Gasket, material	FPM 70
Housing material	Stainless steel (1.4104)
Material sensing surface	EP
Support ring material	PTFE

Mechanical data

Dimension	Ø 12 x 78 mm
Fastening detail	M12x1
Installation	for flush mounting
Pressure rating max.	500 bar
Pressure rating, note	oil pressure rated
Sealing ring, part number	636594
Sealing ring, size	5.85 × 2.4 mm

BES 516-300-S135-S4-D BHS001L

Size M12x1
Tightening torque 15 Nm \pm 10 %

Rated operating distance S_n 1.5 mm
Ripple max. (% of U_e) 15 %
Temperature drift max. (% of S_r) 10 %

Output/Interface

Switching output PNP Normally open (NO)

Range/Distance

Assured operating distance S_a 1.2 mm
Range 1.5 mm

Remarks

Installation Instructions 614804

The sensor is functional again after the overload has been eliminated.

For further information on MTTF/B10d, please refer to the MTTF / B10d Certificate.

Specification of the MTTF value and the B10d value do not represent any binding quality and/or life expectancy guarantees.

Connector view



Wiring Diagram

